

**Dedication,
Innovation
and Commitment...**



...is our way of doing business.

More than 7,000 machines sold makes Boix Machinery **the leading manufacturer of tray erectors**, our **experience of over 40 years** speaks for itself of the quality of build, design and service as well as the variety of our machinery offer tailored to our customer's needs.

Listening to our customers is the only true way to provide the service you deserve. Starting with a concept our design and production teams go to work to create a machine adapted to our customer's needs using the best materials, components and control systems available.

All round service excellence is our goal. From the receipt of an order right up to the point of delivery **all production processes are controlled by our own highly qualified team of professionals** achieving a complete service.

Sprzedaz i serwis techniczny:

BOSKY

ul. ks. P. Ściegiennego 262 Y
25-116 Kielce, Poland
info@bosky.pl
+ 48 41 334 04 44

For more
information visit
www.boix.es



AT BOIX WE TAKE QUALITY VERY
SERIOUSLY, A SATISFIED
CUSTOMER IS OUR MOST
IMPORTANT ASSET

Dedicate our efforts and the means at our disposal to improving that which can be made better.

Innovate to provide advanced solutions to a constantly changing market.

Commitment to achieve and surpass your expectations.



BOIX MAQUINARIA
Polígono Industrial La Granadina
Manzana 1 calle 5
03349 San Isidro (Alicante) Spain
Tel: (+34) 966 06 01 00
www.boix.es

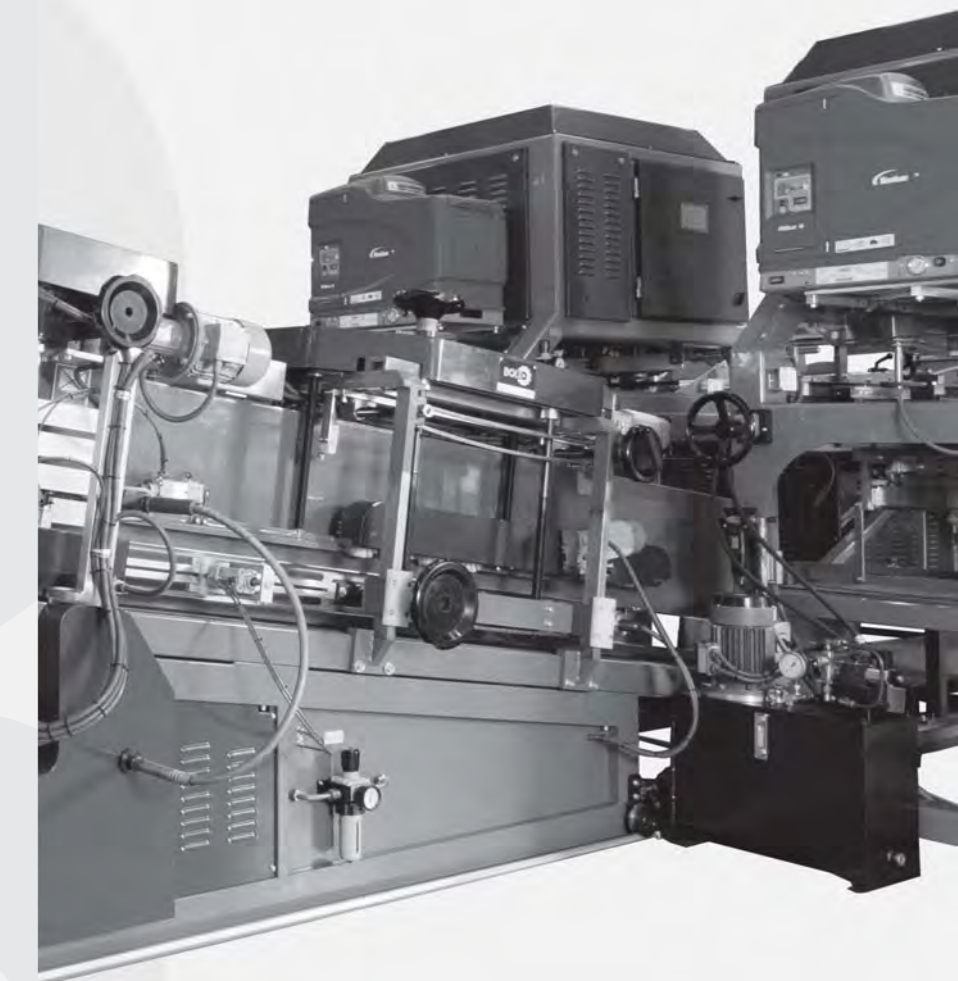


MT-97/E
FORMADORA
DE CAJAS
PARA CALZADO



SELECT RAPIDEZ, FIABILIDAD Y CONFIANZA

MT-97/E



MC-7/E



MÁQUINA MC-7/E, PARA DAR FORMA A FONDOS Y/O TAPAS, PARA SU POSTERIOR ENSAMBLAJE.

GAMA SELECT

DONDE LO ESPECIAL TIENE CABIDA.

La Gama Select es la solución para todos aquellos trabajos de embalajes especiales o exigentes, que requieran una máquina a medida.

RAPIDEZ, FIABILIDAD Y CONFIANZA

MC-7/E

MT-97/E



GRUPO DE MÁQUINAS AUTOMÁTICAS Y REGULABLES PARA FORMAR, PEGAR Y TAPAR CAJAS DE CALZADO Y OTRAS, TANTO EN CARTÓN COMPACTO COMO MICRO CANAL.

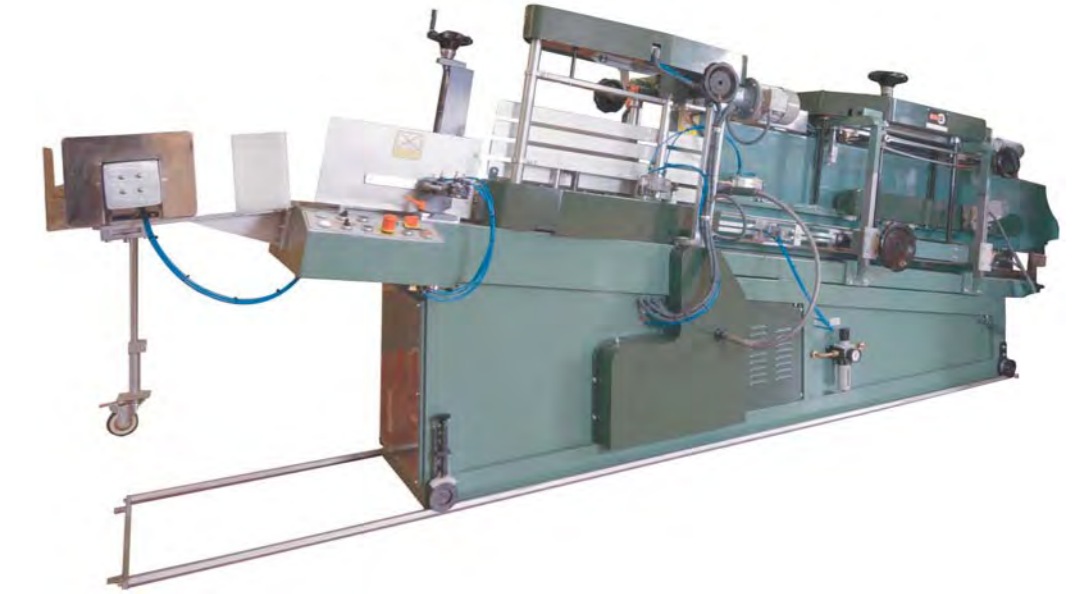


MC-7/E + MT-9/E
PRODUCCIÓN INTEGRAL

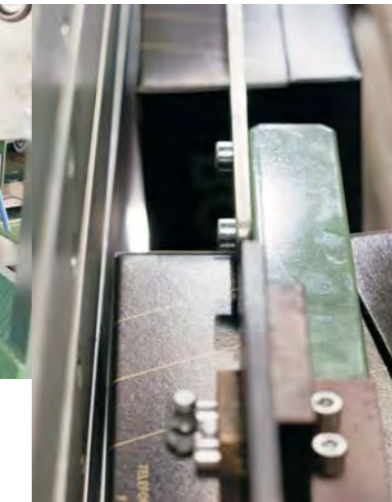
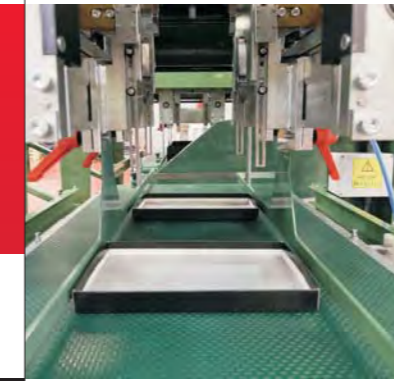
MT-97/E



MT-9/E



MT-9/E. SE ENCARGA DE UNIR FONDOS Y TAPAS, FINALIZANDO EL PROCESO DE MONTAJE DE LAS CAJAS DE ZAPATOS.



TECNOLOGÍA Y EXPERIENCIA

MT-9/E

FORMADORA DE FONDOS Y TAPAS

TECHNICAL SPECIFICATIONS MC-7/E

OPERATION	Mechanic, pneumatic, hydraulic and electric
GLUE SYSTEM	By injection, hot melt. Nordson (cap. 7 kg)
PRODUCTION	2.500 a 3.000 boxes / hour (adjustable)
TOTAL POWER	6 Kw
ELECTRICAL SUPPLY STANDAR	380 v. (3F + N + T) - 50 Hz
NET WEIGHT	1.200 Kg
BLANK FEEDING SYSTEM	By belts
SIZE CHANGE	15 min.
AIR CONSUMPTION l/min.	80 l/min. (just for the glue injection).
WORKING AIR PRESSURE	6 bar

GRUPO MONTADOR Y CERRADOR

TECHNICAL SPECIFICATIONS MT-97/E

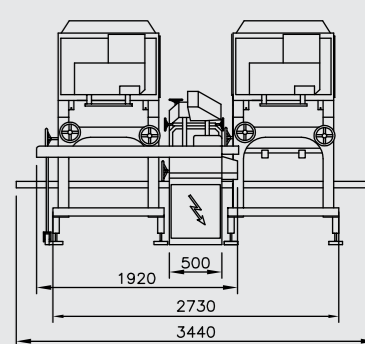
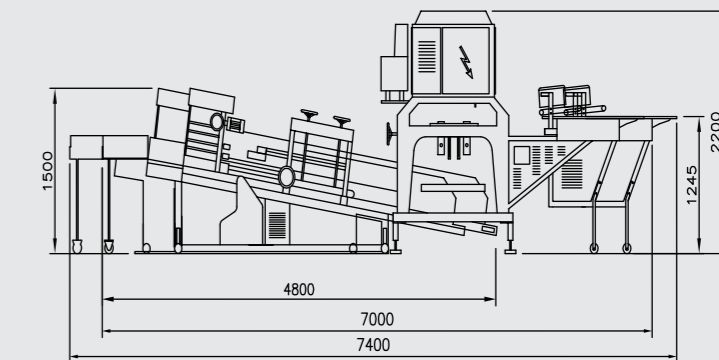
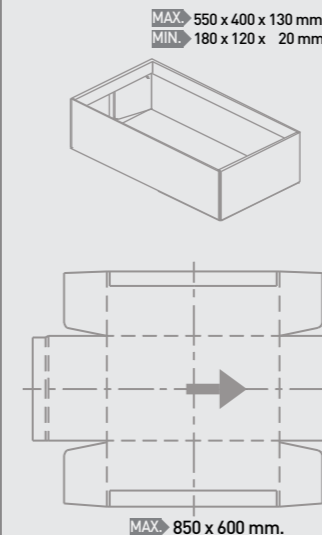
OPERATION	Mechanic, pneumatic, hydraulic and electric
GLUE SYSTEM	By injection, hot melt. Nordson (cap. 7 kg)
PRODUCTION	2.500 a 2.800 boxes / hour (adjustable)
TOTAL POWER	18 Kw
ELECTRICAL SUPPLY STANDAR	380 v. (3F + N + T) - 50 Hz
NET WEIGHT	4.700 Kg
BLANK FEEDING SYSTEM	By belts
SIZE CHANGE	30 min.
AIR CONSUMPTION l/min.	500 l/min.
WORKING AIR PRESSURE	6 bar

MEDIDAS MT-97/E

CAJA / PLANCHA

LATERAL

FRONTAL



MC-7/E

MT-97/E